

输出功率：约0.1~5W
蜗轮蜗杆减速电机

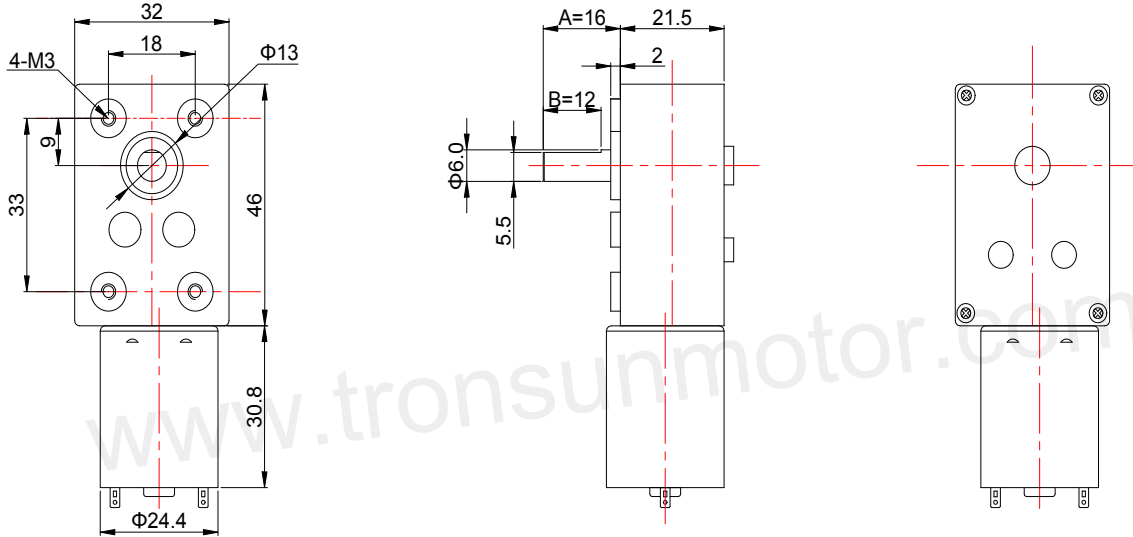
OUTPUT:APPROX 0.1~5W
Worm Gear Motor

典型应用： 智能家居
智能机器人
自动售货机
阀门

Typical Applications: Smart Home Appliance
Smart Robot
Vending Machine
Valve

1.OUTLINE DRAWING:

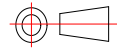
UNIT:MM



Customizable Parameters:

1. Length A and B
2. Electric Performance
3. Output shaft specifications
4. Reduction Ratio

View:



WEIGHT: 150g(Approx)

2.GEARBOX REDUCTION RATIO:

Gearbox Length (mm)	Stage Number	Reduction Ratio					Rated Torque	Bearable Maximum Instant Torque
46 x 32 x 21.5	3	65/1	105/1	185/1			3.0	6.0
	4	320/1	412/1	478/1	600/1	900/1	5.0	10.0

3.MOTOR PERFORMANCE :

1N.m \approx 10.2kg.cm \approx 14.2oz.in

MODEL	REDUCTION RATIO	VOLTAGE		NO LOAD			AT MAXIMUM EFFICIENCY				STALL	
		OPERATING RANGE	NOMINAL	SPEED	CURRENT	SPEED	CURRENT	TORQUE	OUTPUT	TORQUE	CURRENT	
			V	rpm	A	rpm	A	kg.cm	W	kg.cm	A	
46GF370-65-06140	65/1	3.0~7.0	6.0	140	0.13	118	0.76	1.0	1.21	6.4	4.1	
46GF370-105-0682	105/1	3.0~7.0	6.0	85	0.13	73	0.73	1.5	1.12	10.2	4.1	
46GF370-65-12120	65/1	5.0~13.0	12.0	120	0.07	101	0.76	1.5	1.55	9.4	2.4	
46GF370-478-1216	478/1	5.0~13.0	12.0	16	0.07	11.3	0.35	8.0	0.93	63.5	2.4	
46GF370-900-2405	900/1	6.0~24.0	24.0	5.5	0.03	4.4	0.11	15.0	0.68	71.5	0.43	