

输出功率: 约2~40W

碳刷马达

典型应用: 家用电器

电动玩具

电动工具

OUTPUT: APPROX 2~40W

Carbon-brush Motors

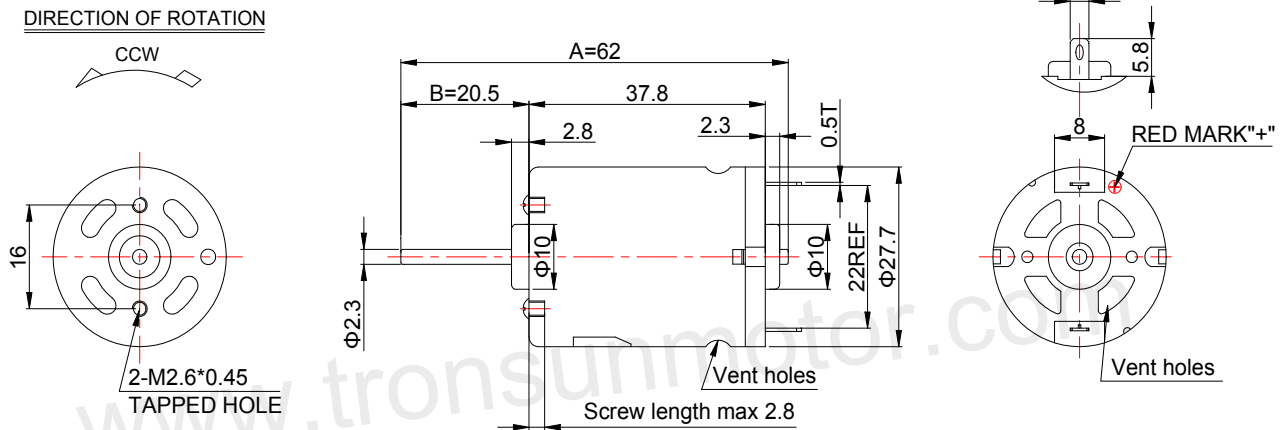
Typical Applications: Household Appliances

Electric Toys

Electrical Tools

1. OUTLINE DRAWING:

UNIT:MM

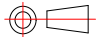


Customizable Parameters:

1. Length A and B
2. Electric Performance
3. Direction of Rotation

WEIGHT: 70g(Approx)

View:



2. MOTOR PERFORMANCE :

MODEL	VOLTAGE		NO LOAD		AT MAXIMUM EFFICIENCY				STALL			
	OPERATING RANGE	NOMINAL V	SPEED rpm	CURRENT A	SPEED rpm	CURRENT A	TORQUE g.cm	TORQUE mN.m	OUTPUT W	TORQUE g.cm	TORQUE mN.m	CURRENT A
RS-380SA-20150	5.0~13.0	12.0	8200	0.11	6801	0.54	63.5	6.23	4.43	372	36.51	2.60
RS-385SA-13220	6.0~24.0	24.0	6800	0.05	5582	0.23	63.6	6.24	3.64	355	34.84	1.05
RS-380PA-3755	5.0~13.0	12.0	26500	0.72	22900	4.60	143	14.03	33.59	1065	104.51	29.60
RS-380SA-16255R	5.0~13.0	12.0	5000	0.1	3950	0.38	64	6.28	2.59	305	29.93	1.40

